

Instructions

Extension Units

WJ-HDE500

WJ-HDE505

Before attempting to connect or operate this product, please read these instructions carefully and save this manual for future use.

Model No.

WARNING:

- To reduce the risk of fire or electric shock, do not expose this product to rain or moisture.
- All work related to the installation of this product should be made by qualified service personnel or system installers.

CAUTION:

- Read the label on the bottom of the unit for identification of this product, and the power ratings.



SA 1965

The lightning flash with arrowhead symbol, within an equilateral triangle, is intended to alert the user to the presence of uninsulated "dangerous voltage" within the product's enclosure that may be of sufficient magnitude to constitute a risk of electric shock to persons.



SA 1966

The exclamation point within an equilateral triangle is intended to alert the user to the presence of important operating and maintenance (servicing) instructions in the literature accompanying the appliance.

For U.S.A.

NOTE: This equipment has been tested and found to comply with the limits for a Class A digital device, pursuant to Part 15 of the FCC Rules. These limits are designed to provide reasonable protection against harmful interference when the equipment is operated in a commercial environment. This equipment generates, uses, and can radiate radio frequency energy and, if not installed and used in accordance with the instruction manual, may cause harmful interference to radio communications.

Operation of this equipment in a residential area is likely to cause harmful interference in which case the user will be required to correct the interference at his own expense.

FCC Caution: To assure continued compliance, (example - use only shielded interface cables when connecting to computer or peripheral devices). Any changes or modifications not expressly approved by the party responsible for compliance could void the user's authority to operate this equipment.

The serial number of this product may be found on the bottom of the unit.

You should note the serial number of this unit in the space provided and retain this book as a permanent record of your purchase to aid identification in the event of theft.

Model No. _____

Serial No. _____

■ General

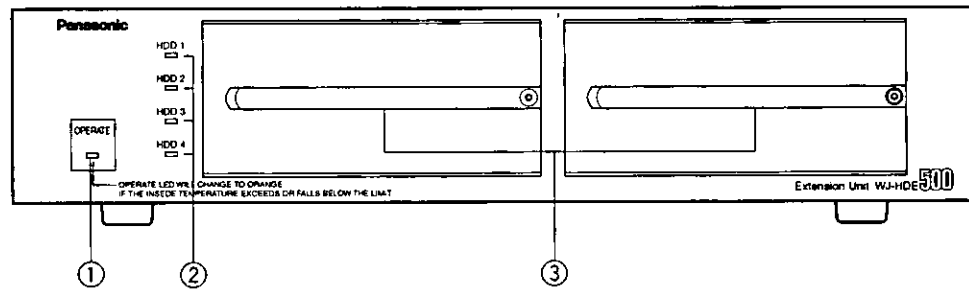
The WJ-HDE500 and WJ-HDE505 are the Extension Units for installation with the digital disk recorder WJ-HD500 to extend its disk capacity. Extension is available by connecting a maximum of 6 extension units in the SCSI chain while an extension unit can contain up to four HDDs. The WJ-HDE505 is used to assure driving capability for the SCSI chain when more than 3 extension units are connected.

■ Precautions

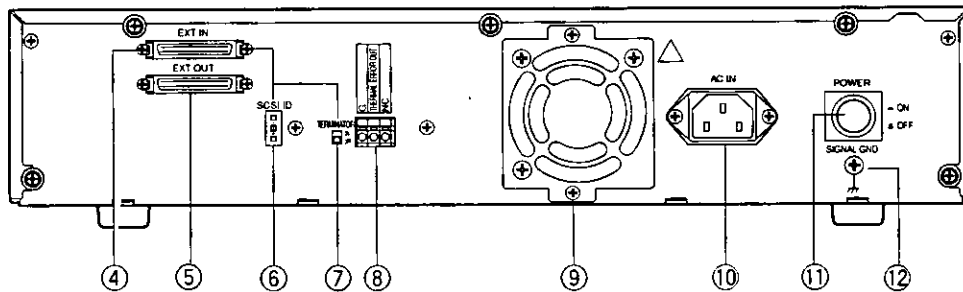
- Do not operate the appliance beyond its specified temperature, humidity or power source ratings.
Do not use the appliance in an extreme environment where high temperature or high humidity exists. Use the appliance at temperatures within +5 °C to +45 °C (41 °F to 113 °F) and a humidity below 90 %.
The input power source for this appliance is 120 V AC 60 Hz.
- Avoid shock and vibration
Shock or vibration may damage the HDD while operating or not operating.
Do not move the HDD for 30 seconds right after turning off the power.
- Pay attention to static electricity
Put your hand on a metallic surface to discharge static electricity before installation.
Do not touch components mounted on the HDD directly with hand.
Hold only both sides of the HDD when installing.
- Avoid condensation on the surface of the HDD. Wait until the dew evaporates if any of the following cases takes place.
The appliance is moved to a place significantly different in temperature or humidity.
The appliance is moved out from the air-conditioned room.
The appliance is placed in an extremely humid place.
The appliance is placed in a room where heater has just been turned on.
- Consumable parts
Contact your dealer for the replacement when the time comes.
Built-in hard disk needs replacement after around 30 000 hours of operation.
Cooling fan also needs replacement after around 30 000 hours of operation.
- Do not block the ventilation opening or slots on the cover.
To prevent the appliance from overheating, place it at least 5 cm (2 inches) away from the wall.

■ Appearance

● Front View



● Rear View



<FRONT VIEW>

① Operate Indicator [OPERATE]

Lights in green while the power is supplied to the unit. Lights in orange when a thermal error is detected inside the unit.

② HDD Access Lamps [HDD 1] [HDD 2] [HDD 3] [HDD 4]

Lights while the HDD is accessed. Do not turn off the POWER switch while any of the access lamps is lit.

③ Front Lids

Four HDD openings are prepared inside the extension unit. Remove the lid to install the HDD. Replace the lid after installation.

⑦ Termination Switch [TERMINATE ON/OFF]

Set this switch to ON when the extension unit is located at the end of SCSI chain. Set this to OFF unless the unit is located at the chain end.

⑧ Terminal Board [THERMAL ERROR OUT] [G]

A thermal error signal is supplied and OPERATE LED lights in orange when the inside temperature exceeds or falls below the limit. Connect these terminals with the WJ-HD500.
[NC] : No connection

⑨ Cooling Fan

⑩ AC Inlet [AC IN]

Connect the supplied power cord.

⑪ Power Switch [POWER]

Turn on this switch (peripherals) first, then the power of the WJ-HD500.

Confirm all HDD access lamps go out before turning off this switch. Switch off the power of the WJ-HD500 first, then turn off this switch (peripherals).

<REAR VIEW>

④ SCSI In connector [EXT IN]

Connect the WJ-HD500 or other Extension Unit with a SCSI cable.

⑤ SCSI Out connector [EXT OUT]

Connect another Extension Unit with a SCSI cable.

⑥ SCSI ID Switch [SCSI ID -/+]

Press the upper or lower selector with a small headed screw driver to select the desired SCSI ID in the chain.

⑫ Signal GND Terminal [SIGNAL GND]

Connect this terminal with other equipment's SIGNAL GND to avoid possible grounding loop and noise if required.

■ Mounting HDDs

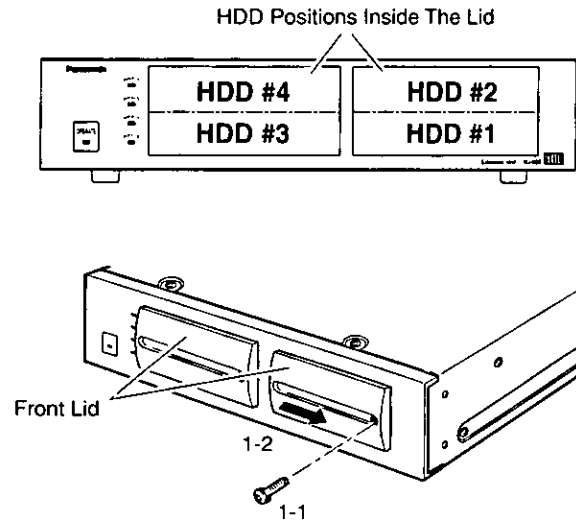
A maximum of 4 HDD units (locally procured) can be mounted on one extension unit. This page describes how to install #1 HDD. Repeat the same procedures as #1 for #2 through #4 HDD.

The HDD units should be installed into the proper openings in order as shown. Never skip or reverse the position order of the HDD units.

1 Remove the front lid.

1-1 Loosen the front lid fixing screw.

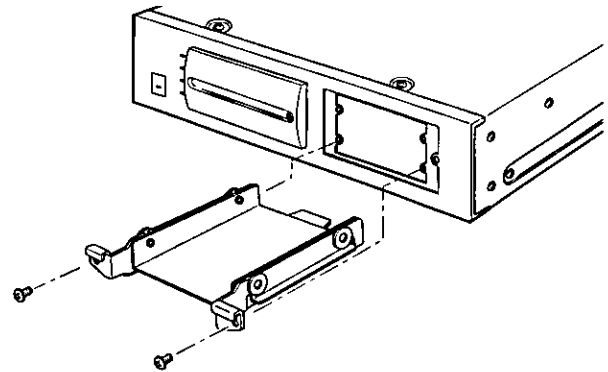
1-2 Slide the lid to the right and remove it.



2 Remove the HDD bracket #1.

2-1 Loosen 2 screws as shown.

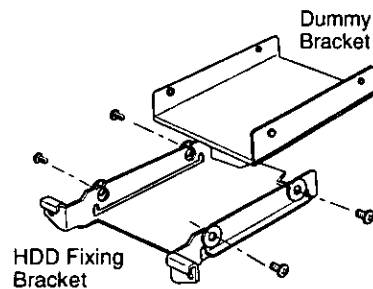
2-2 Pull the bracket #1 out of the opening.



3 Disassemble the bracket #1.

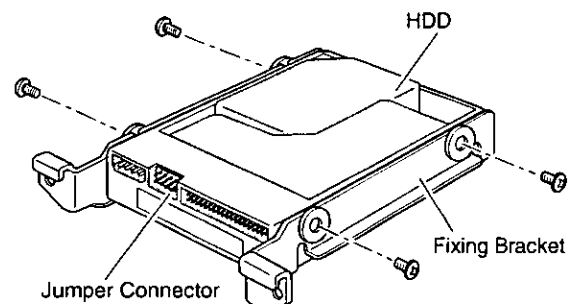
Separate it into the fixing bracket and dummy bracket by loosening 4 screws.

Keep the removed fixing bracket and 4 screws so that they are to be used later.



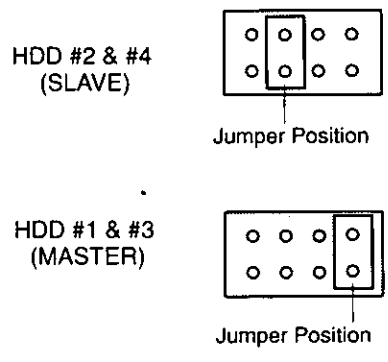
4 Prepare an HDD unit.

5 Mount the HDD on the fixing bracket then fasten them together with 4 screws.

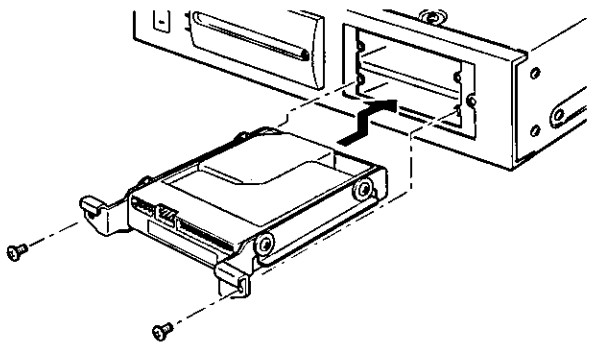


6 Set the unit address with jumper connector on the HDD as shown.

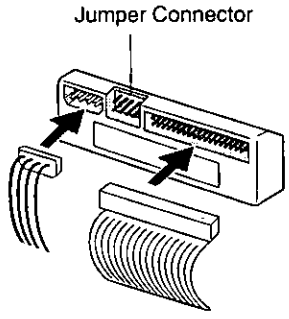
Note: For further details, refer to the instructions included in the HDD unit.



7 Place the HDD into the appropriate opening, then fix it with 2 screws.

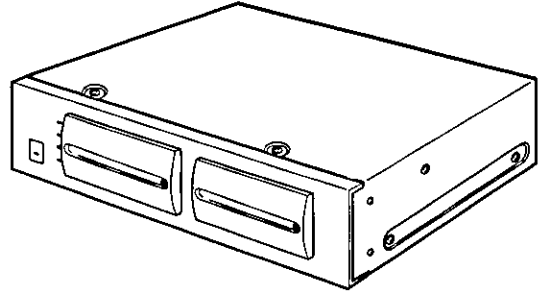


8 Plug the 2 connector harness to the installed HDD as shown.



9 Repeat above steps for HDD #2 through #4.

10 Replace the front lid as before.



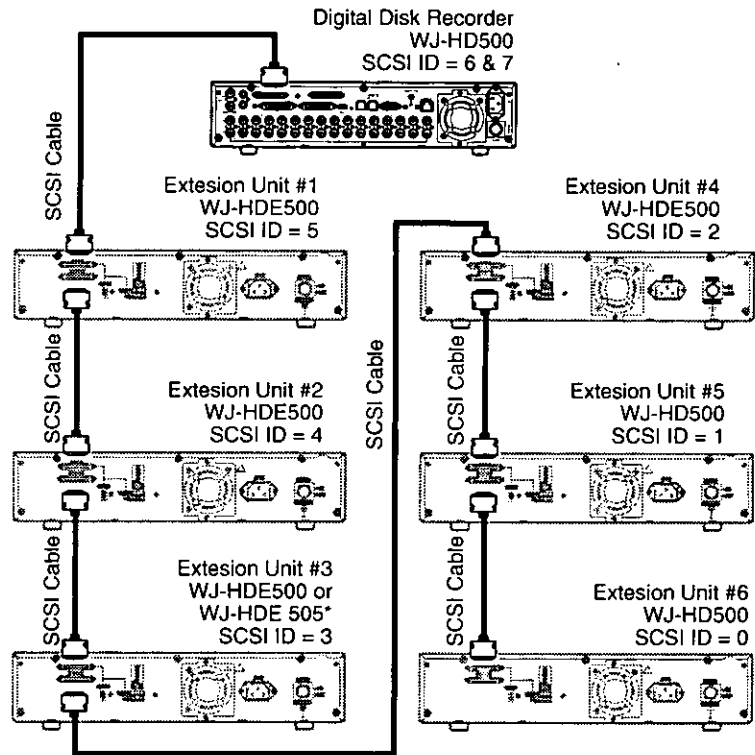
■ Connection & Switch Setting

SCSI Connection

The Digital Disk Recorder WJ-HD500 controls the extension units through the SCSI chain.

- 1 Connect between the EXT STORAGE port on the WJ-HD500 and the EXT IN port on the 1st extension unit with the supplied SCSI cable.
- 2 Connect between the EXT OUT port on the 1st extension unit and the EXT IN port on the 2nd extension unit with the supplied SCSI cable. Repeat connections in the same manner for the following extension units.
- 3 The 3rd extension unit must be a **WJ-HDE505** if further extension unit is connected. Use a **WJ-HDE500** if the 3rd unit is located at the end of SCSI chain.

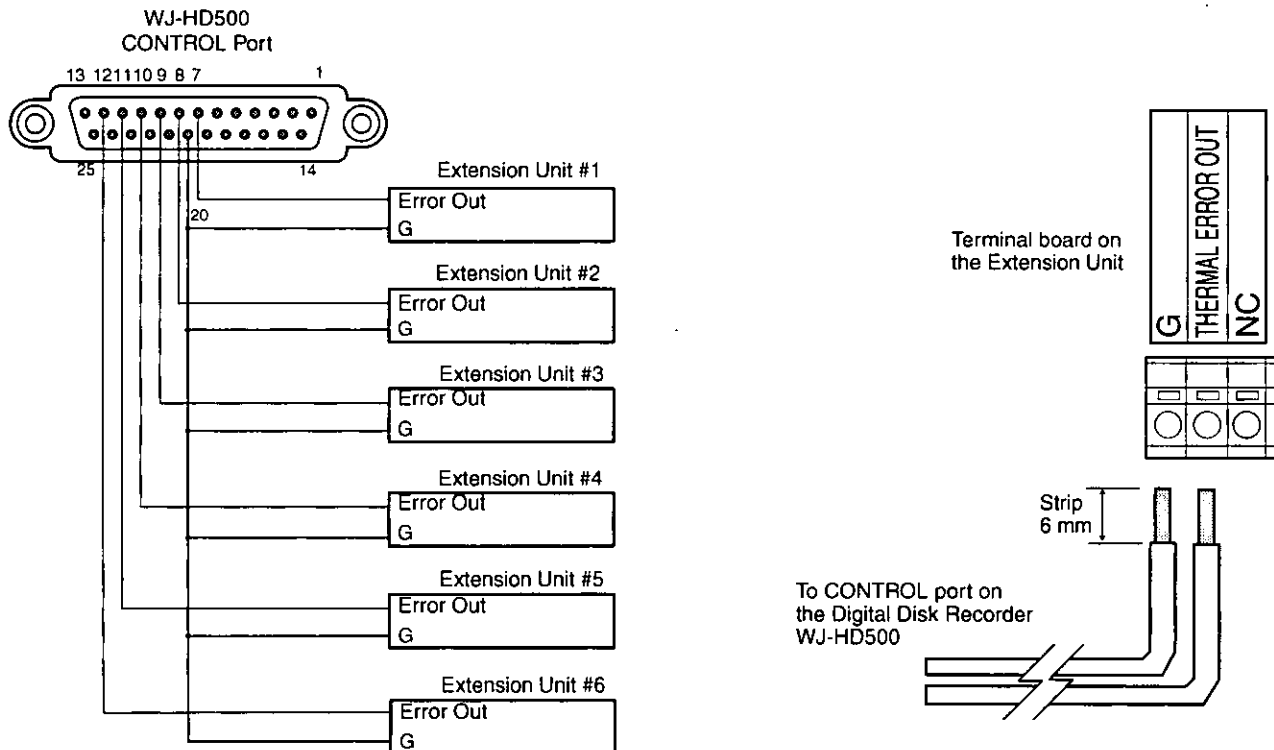
Extension is available up to 6 units.



* Use a WJ-HDE505 for the 3rd unit position if further unit is extended.
Use a WJ-HDE500 if the 3rd position is the end of the SCSI chain.

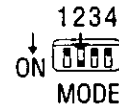
Error Connection

Connect each error output with CONTROL port on the WJ-HDD500 rear panel as shown. The WJ-HD500 will display a warning of the thermal error on the monitor.



Switch Settings

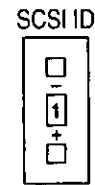
1 Set the MODE switch #2 on the rear of the WJ-HD500 to ON when connecting with the extension unit.



2 Set the SCSI ID for each unit by pressing the [-] and [+] buttons on the rear of the extension unit.

0 to 5: Are applicable to the extension unit.

Note: SCSI ID 6 and 7 are reserved for WJ-HD500 Digital Disk Recorder.



3 Set the termination switch to ON or OFF.

ON: Is applied to the extension unit located at the end of the SCSI chain.

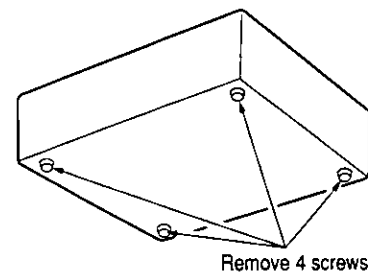
OFF: Is used for other than the end unit.

TERMINATION

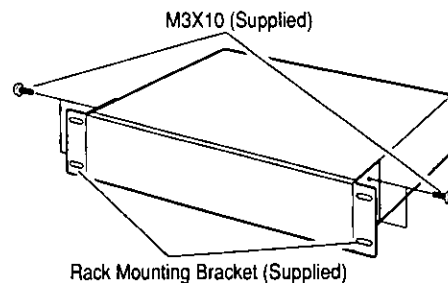


■ Rack Mounting

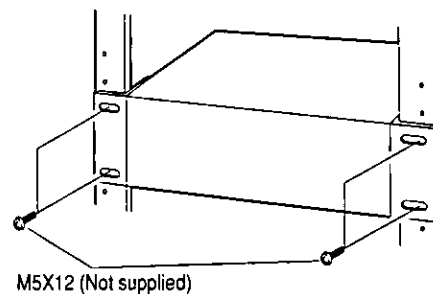
1 Remove the four rubber feet by removing four screws from the bottom of the unit



2 Fix the Rack Mounting Brackets (supplied) on both sides the unit with 4 screws (M3X10 supplied).



3 .Install the unit in the rack securing it with four screws (not supplied).



Cautions:

- Keep the temperature in the rack below 45°C (113°F).
- Do not block the ventilation opening or slots on the cover to prevent the appliance from overheating.

■ Troubleshooting

Phenomenon	Cause	What to do
No power is supplied.	Power cord connection is insufficient.	Securely plug the cord into AC outlet and AC inlet..
HDD access lamps blink.	The inner connector is loosening.	Securely plug the inner connector.
Thermal error. OPERATE indicator lights in orange.	Ventilation openings or fan is blocked.	Remove obstacles.
	Cooling fan failed.	Consult your dealer for the replacement.
	Ambient temperature is too low.	Use the unit within +5 °C to +45 °C.
Extension HDDs are not recognized.	SCSI ID setting	Set ID number properly.
	Termination	Set termination properly.
	SCSI cable	Use the supplied cable & connect it securely.
	Power-on sequence	Turn on peripherals first, then HD500!
	HDD unit position	Install HDD unit to the right position.

■ Specifications

Required Power:	AC 120 V 60 Hz
Power Consumption:	55 W (inclusive of 4 HDD units if installed)
Interface:	SCSI-2 (FAST SCSI) Half-pitch 50/pin D-Sub
Operating Temperature:	+5 to +45 °C (41 °F to 113 °F)
Dimensions:	420 mm (W) x 88 mm (H) x 350 mm (D), rubber feet exclusive 16-9/16" x 3-7/16" x 13-13/16"
Weight:	WJ-HDE500: 7.3 kg (16 lbs)
	WJ-HDE505: 8.0 kg (17.6 lbs)

Weight and dimensions indicated are approximate.
Specifications are subject to change without notice.

■ Accessory

Power Cord	1 pc.
SCSI Cable	1 pc.
Rack Mounting Bracket.....	2 pcs.
Bracket Fixing Screw	4 pcs.

Panasonic Security and Digital Imaging Systems Company
A Division of Matsushita Electric Corporation of America
Executive Office: One Panasonic Way 3E-7, Secaucus, New Jersey 07094

Regional Offices:
 Northeast: One Panasonic Way, Secaucus, NJ 07094 (201) 348-7303
 Southern: 1225 Northbrook Parkway, Suite 1-160, Suwanee, GA 30024 (770) 338-6838
 Midwest: 1707 North Randall Road, Elgin, IL 60123 (847) 468-5211
 Western: 6550 Katella Ave., Cypress, CA 90630 (714) 373-7840

Panasonic Canada Inc.
 5770 Ambler Drive, Mississauga,
 Ontario, L4W 2T3 Canada (905)624-5010

Panasonic Sales Company
Division of Matsushita Electric of Puerto Rico Inc.
 Ave. 65 de Infanteria. Km. 9.5
 San Gabriel Industrial Park, Carolina,
 Puerto Rico 00985 (809)750-4300